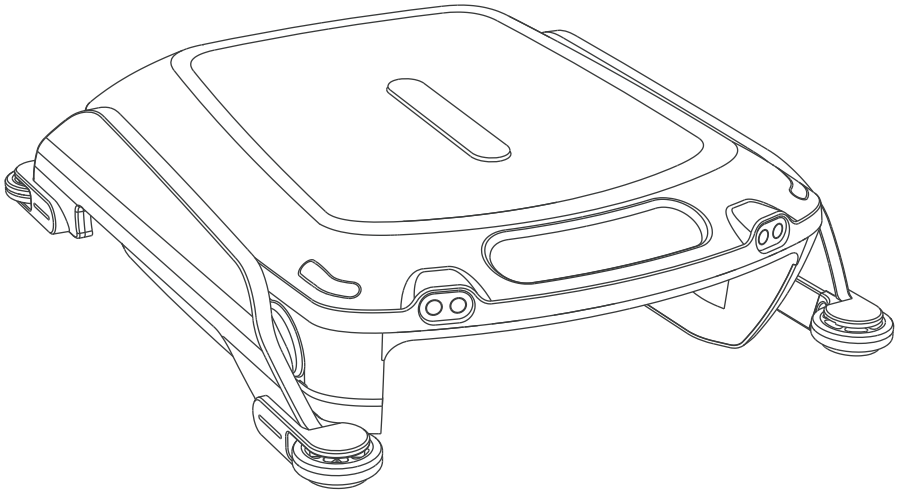


# smonet<sup>®</sup>

Start your smart life easily

SR5 Pro



## Solar Pool Skimmer **User Manual** 2.0

---

Read and Save the Instructions

---

## USER GUIDE VIDEO



## CUSTOMER SERVICE

All Smonet products come with lifetime support. Feel free to contact us if you have any questions.



**Toll Free:**

1-888-801-8468



**E-mail:**

sr5poolrobot@hotmail.com



**Mon-Sun:**

12:00 p.m. - 7:00 p.m. (EDT)

8:00 p.m. - 5:00 a.m. (EDT)



**Live Customer Support**

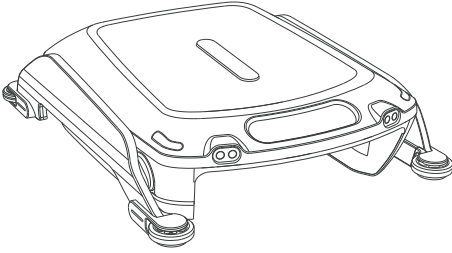


WhatsApp

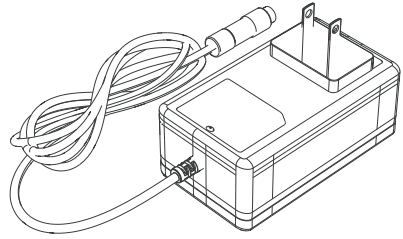
# Contents

<b>In the box</b> .....	01
<b>Safety Instructions</b> .....	02
<b>Product Overview</b> .....	03
<b>How to Use</b> .....	04
<b>How Our Pool Skimmer Works</b> .....	05
Two Cleaning Modes .....	05
Auto Adjust Cleaning Direction .....	05
Obstacle Avoidance .....	05
<b>How to Correctly Install the Basket</b> .....	06
<b>Clean the Debris Collection Basket</b> .....	07
<b>Charging in Winter</b> .....	08
<b>Storage in Winter</b> .....	08
<b>Specifications</b> .....	08
<b>Troubleshooting</b> .....	09
<b>FCC Compliance Statement</b> .....	10
<b>Customer Service</b> .....	10

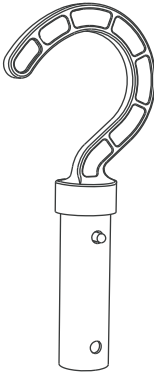
**1** // IN THE BOX



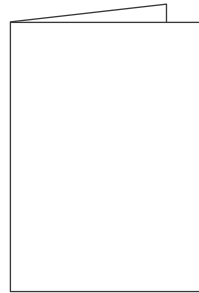
**Pool Skimmer\*1**



**Power Adapter\*1**



**Hook\*1**



**User Manual\*1**

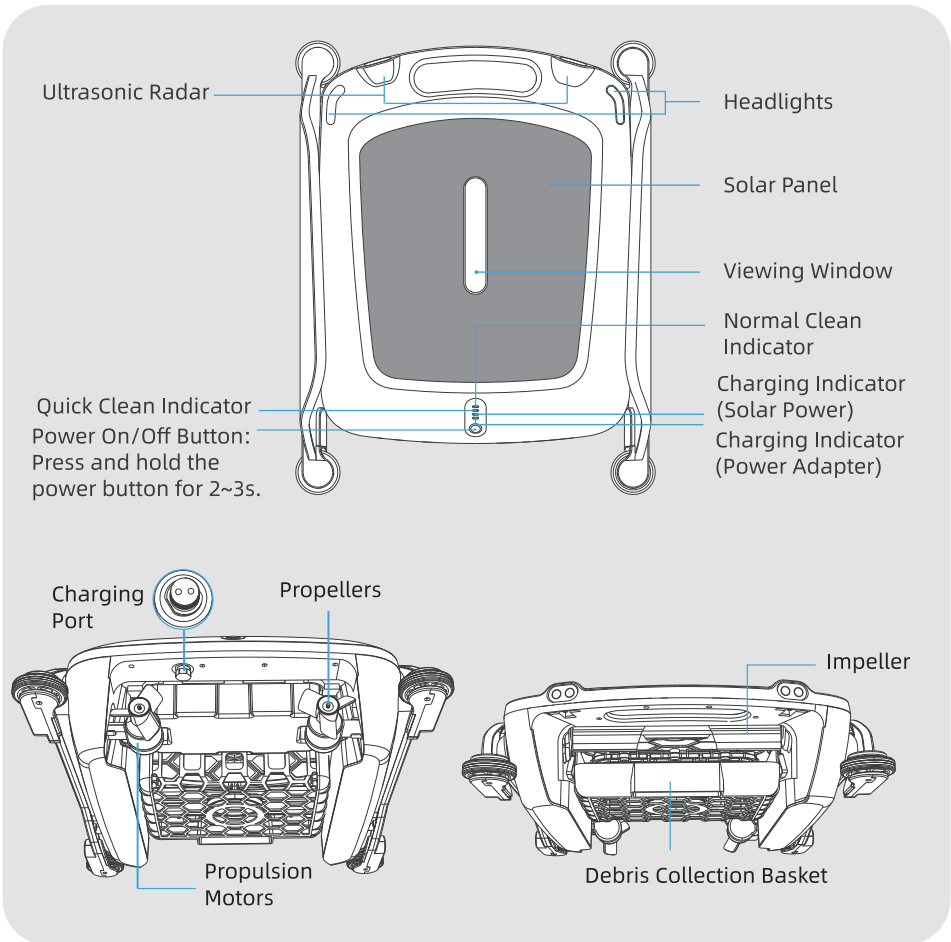
## **2** SAFETY INSTRUCTIONS

**During the swimming season, it is recommended to keep the skimmer in the pool at all times, except when the pool is in use or when the skimmer needs cleaning.**

- When placing the skimmer, handle it with care to protect the propulsion motors and impellers.
- Before powering on the skimmer, check the propellers and impeller.
- Check if they are stuck and remove any objects tangled around them.
- To prevent water getting in and causing corrosion, check and make sure the charging port is securely covered before placing the skimmer in the pool.
- To achieve optimal solar charging, keep the surface of the solar panel clean.
- Check and remove the debris on the surface of radar sensors.
- Before placing the skimmer in the pool, check and make sure the debris collection basket is properly installed.
- Only use original power adapter and accessories.
- The power adapter must be connected to the leakage protection ground socket for charging.
- The charging port must be dry before charging.
- Clean the debris collection basket after use.
- This machine contains batteries that are only replaceable by trained technicians.
- This machine is not intended for use by persons (including children) with reduced physical, sensory or mental capabilities, or lack of experience and knowledge, unless they have been given supervision or instruction concerning use of the machine by a person responsible for their safety.
- Children should be supervised to ensure that they do not play with the machine. Follow the instructions and don't repair the machine by yourself.
- Do not swim while the skimmer is working in the pool.
- When the pool is in use, take the skimmer out of the pool and keep it at a cool place under the shade.

- Do not use the skimmer while other pool cleaning machines are in the pool.
- Watch your steps and maintain balance when walking by the pool.
- To avoid severe damage to the machine, do not leave the skimmer unattended in a hot and dry spot out of the pool .
- To avoid damaging the machine, do not wash the skimmer using the pressure washer.
- Do not use sharp objects to scratch the skimmer housing.

### 3 // PRODUCT OVERVIEW



## 4 // HOW TO USE

### Step 1:

Fully charge the pool skimmer.

#### Option 1

**Solar Power:** Put the pool skimmer under direct sunlight. The charging indicator flashes blue during charging and stays solid blue if fully charged.

#### Notes:

- The machine automatically charges under sunlight, regardless of whether it is in the on or off state.
- In solar power charging mode, the machine will automatically power on when the battery level reaches 35%.

#### Option 2

**Power Adapter:** Use the power adapter to charge the pool skimmer for 2-3 hours. The charging indicator flashes blue during charging and stays solid blue with machine beeping if fully charged.

#### Notes:

- When using the power adapter for charging, please ensure that the pool skimmer is placed in a cool area and not covered by anything to prevent overheating and damage to internal electrical components.
- After charging, tighten the charging port to avoid corrosion caused by water intrusion.

### Step 2:

Power on the skimmer by pressing and holding the power button for 2-3 seconds.

### Step 3:

Put the skimmer in the pool, the skimmer starts working in normal clean mode. The propellers and impeller start running with the headlights flashing green.

## Step 4:

Remove the skimmer from the pool, then empty and rinse the debris basket.

### Notes:

- If the pool skimmer runs out of battery during operation, please recharge it first.
- Monitor through the window on the solar panel to check the debris collection basket.
- You can repeat steps 1-4 until the pool surface is thoroughly clean.

## 5 // HOW OUR POOL SKIMMER WORKS

### Two Cleaning Modes

- ① By default, the skimmer works in **normal clean** mode.
- ② To change from **normal clean** mode to **quick clean mode**, short press the power button.
- ③ The corresponding indicator lights up.

### Auto Adjust Cleaning Direction

The skimmer automatically adjusts its cleaning direction to thoroughly clean the pool surface.

### Obstacle Avoidance

- ① If the radar sensors detect obstacles like pool walls, the skimmer will automatically adjust its movement direction to avoid collision.
- ② If the skimmer enters a blind zone or gets trapped, it will automatically reverse and turn around.



## 6 // HOW TO CORRECTLY INSTALL THE BASKET



Please install the basket as instructed. Once you hear a click and the basket matches the referenced diagram, the installation is correct.



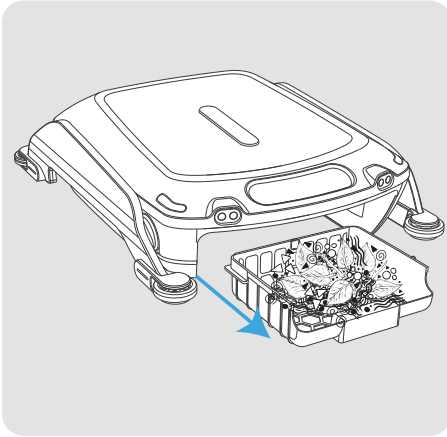
Incorrect installation may cause garbage overflow. If you have any questions, please contact our customer support.

# 7 // CLEAN THE DEBRIS COLLECTION BASKET

**Note:** To avoid debris spilling out, do not pull the debris basket in the pool.

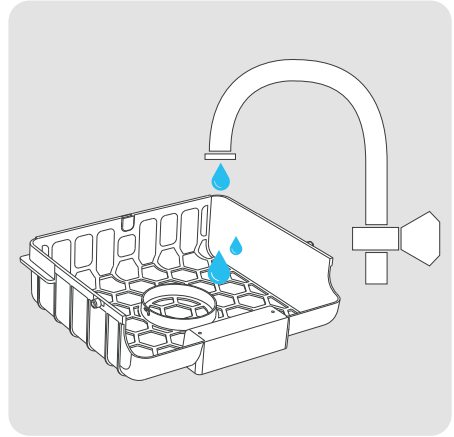
## Step 1:

Follow the arrow direction and pull out the basket.



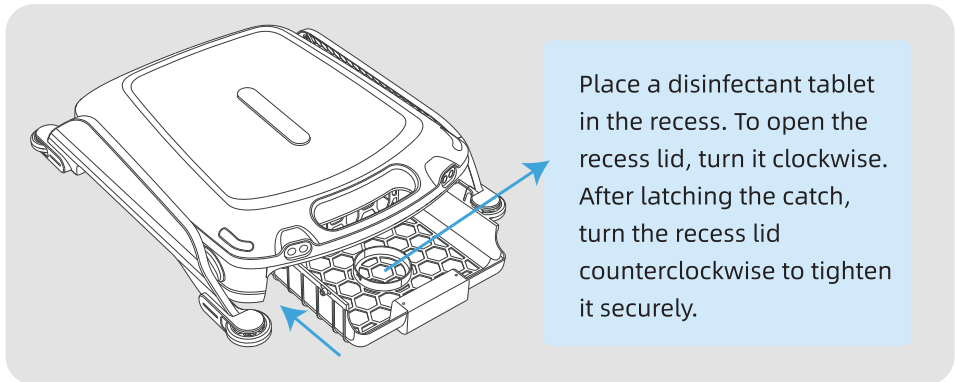
## Step 2:

Empty and rinse the debris basket.



## Step 3:

- Carefully slide the basket back into place, making sure it fits securely and locks into position.
- Give it a gentle tug or push to confirm that it is securely installed and won't come loose.



## 8 // CHARGING IN WINTER

- To extend the skimmer's working time in winter, it's recommended to use the original power adapter for charging.
- In the winter without strong sunlight, batteries can't get enough charge from solar power alone. Even in sunny climates like California, Florida, or Arizona, the skimmer may still need longer charging time.

## 9 // STORAGE IN WINTER

- Wipe clean the skimmer thoroughly before storing it indoors.
- To mitigate the risk of over-discharge and avoid severe damage to the battery, we strongly recommend using the original power adapter to charge the skimmer **every 3 months** to keep the battery level between 40% and 70%.

## 10 // SPECIFICATIONS

Model	SR5 Pro	Solar Panel Power	10W
Rated Voltage	11.1V	Filtration Density	400um
Rated Power	8W	Moving Speed	10-15m/min
Charger Input Voltage	100-240VAC	Machine IP Rating	IPX7
Charger Input Frequency	50/60HZ	Pool Water Temperature	50°F-95°F(10°C-35°C)
Charger Output Voltage	12.6VDC	Motor Type	Brushless
Charger Output Current	1.8A	Dimension	535mm(L)*465mm(W)* 180mm(H)
Battery Capacity	5000mAh	Weight	4.8kg
Charging Time (Charger)	2-3 H	Storage Temperature	-4°F~113°F (-20°C~45°C) Relative Humidity ≤75%

# 11// TROUBLESHOOTING

Problem	Possible Cause	Solution
Press and hold the power button to turn on the machine but no response.	Low Battery	<p><b>Option 1:</b> Use the power adapter to charge the machine for 2-3 hours.</p> <p><b>Option 2:</b> Place it under direct sunlight.</p>
Stop working soon after power on.	Low Battery	<p><b>Option 1:</b> Use the power adapter to charge the machine for 2-3 hours.</p> <p><b>Option 2:</b> Place it under direct sunlight.</p>
Don't work at night.	Low Battery	Use the power adapter to charge the machine for 2-3 hours.
No response when the power adapter is plugged in for charging.	Battery exhausted after long-time storage	Wait for several minutes until the battery level goes up.
The impeller doesn't rotate.	Get stuck	Remove the obstructions.
The propulsion motors don't work.	Get stuck	Remove the obstructions.
The skimmer keeps spinning in the pool.	<ul style="list-style-type: none"> <li>● Check the radar sensor area for obstructions</li> <li>● The propulsion motors might get stuck.</li> </ul>	<ul style="list-style-type: none"> <li>● Remove the obstructions.</li> <li>● Remove the obstructions.</li> </ul>

## 12// FCC COMPLIANCE STATEMENT

This device complies with part 15 of the FCC Rules. Operation is subject to the following two conditions: (1) this device may not cause harmful interference, and (2) this device must accept any interference received, including interference that may cause undesired operation.

## 13// CUSTOMER SERVICE

All Smonet products come with lifetime support. Feel free to contact us if you have any questions.



**Toll Free:**

1-888-801-8468



**E-mail:**

sr5poolrobot@hotmail.com



**Mon-Sun:**

12:00 p.m. - 7:00 p.m. (EDT)

8:00 p.m. - 5:00 a.m. (EDT)



**Live Customer Support**



WhatsApp





smonet<sup>®</sup>  
Start your smart life easily